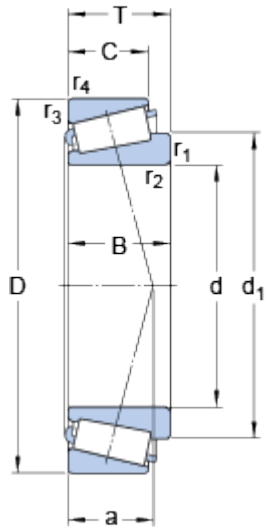


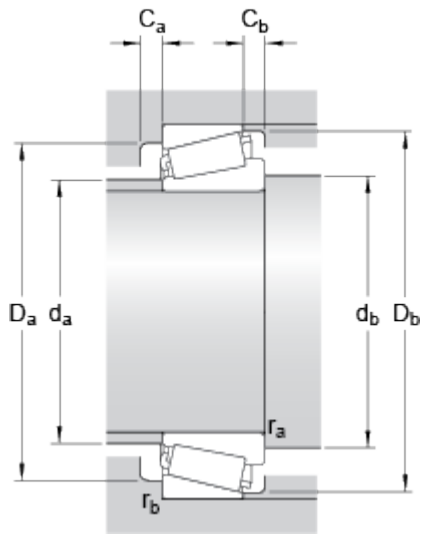
32306 J2/Q

Dimensions



d		30	mm
D		72	mm
T		28.75	mm
d ₁	≈	48.7	mm
B		27	mm
C		23	mm
r _{1,2}	min.	1.5	mm
r _{3,4}	min.	1.5	mm
a		18	mm

Abutment dimensions



d _a	max.	39	mm
d _b	min.	38	mm
D _a	min.	59	mm
D _a	max.	65	mm
D _b	min.	66	mm
C _a	min.	4	mm
C _b	min.	5.5	mm
r _a	max.	1.5	mm
r _b	max.	1.5	mm

Calculation data

Basic dynamic load rating	C	76.5	kN
Basic static load rating	C ₀	85	kN
Fatigue load limit	P _u	9.7	kN
Reference speed		7000	r/min
Limiting speed		10000	r/min
Calculation factor	e	0.31	
Calculation factor	Y	1.9	

Calculation factor

Y_0

1.1

Mass

Mass bearing

0.554

kg